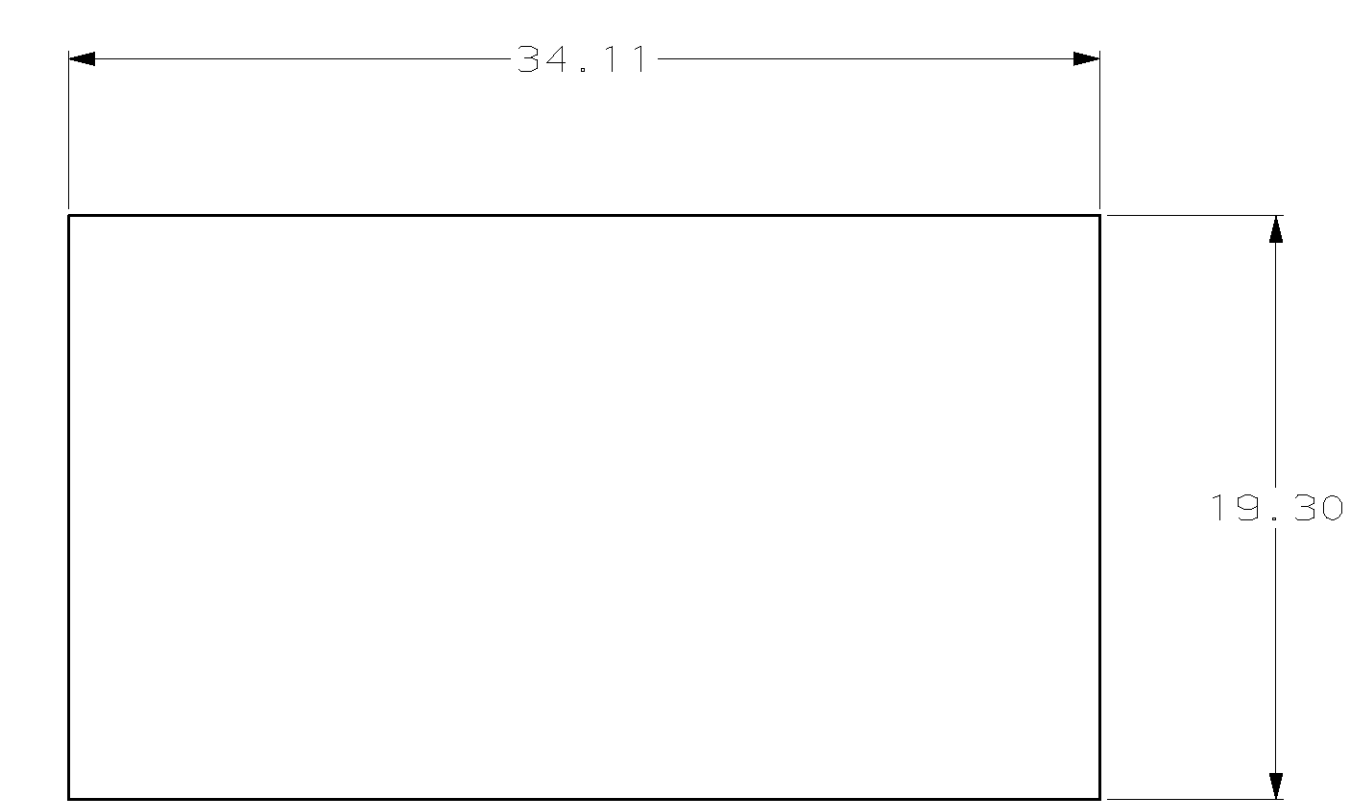
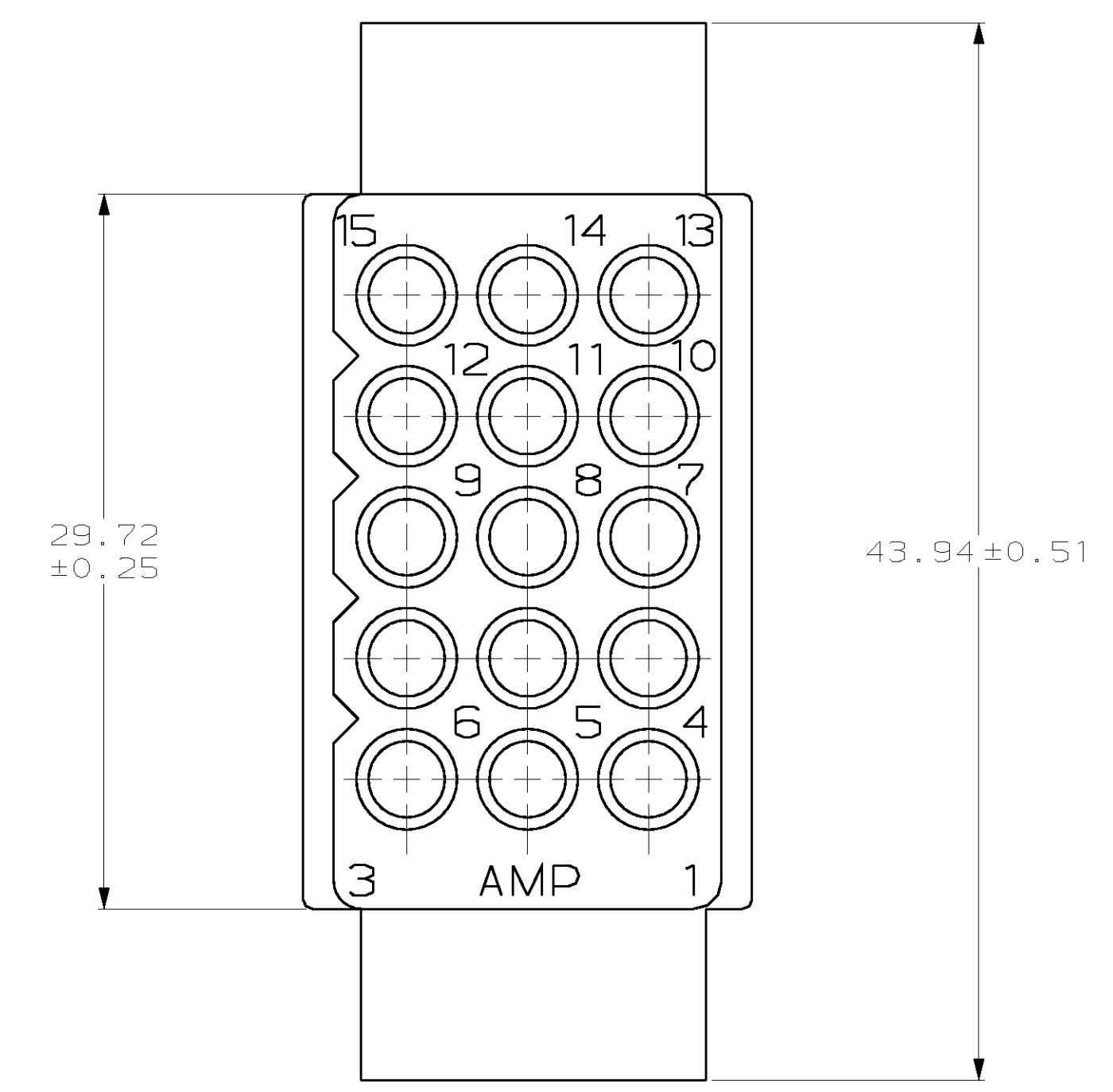
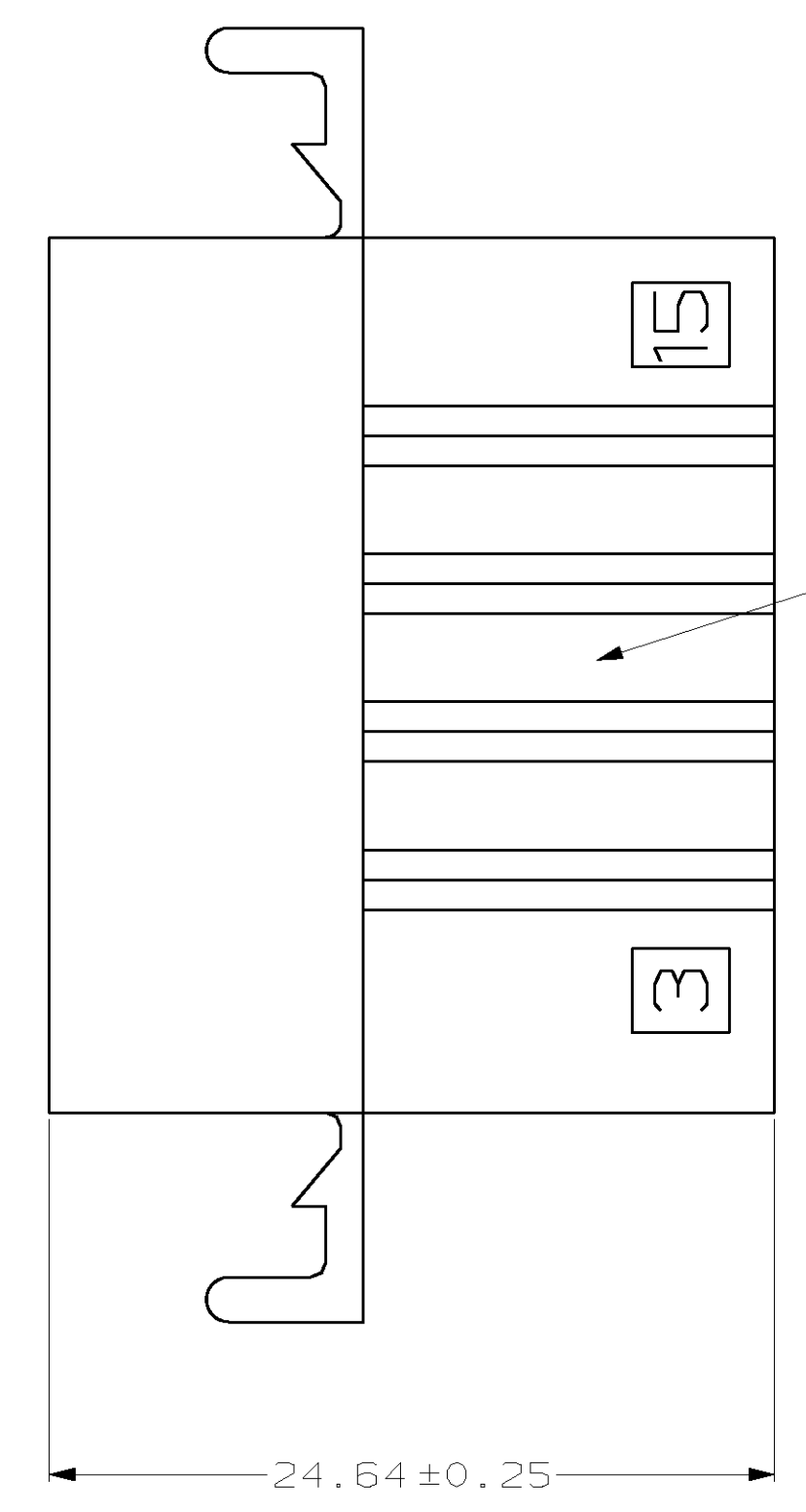
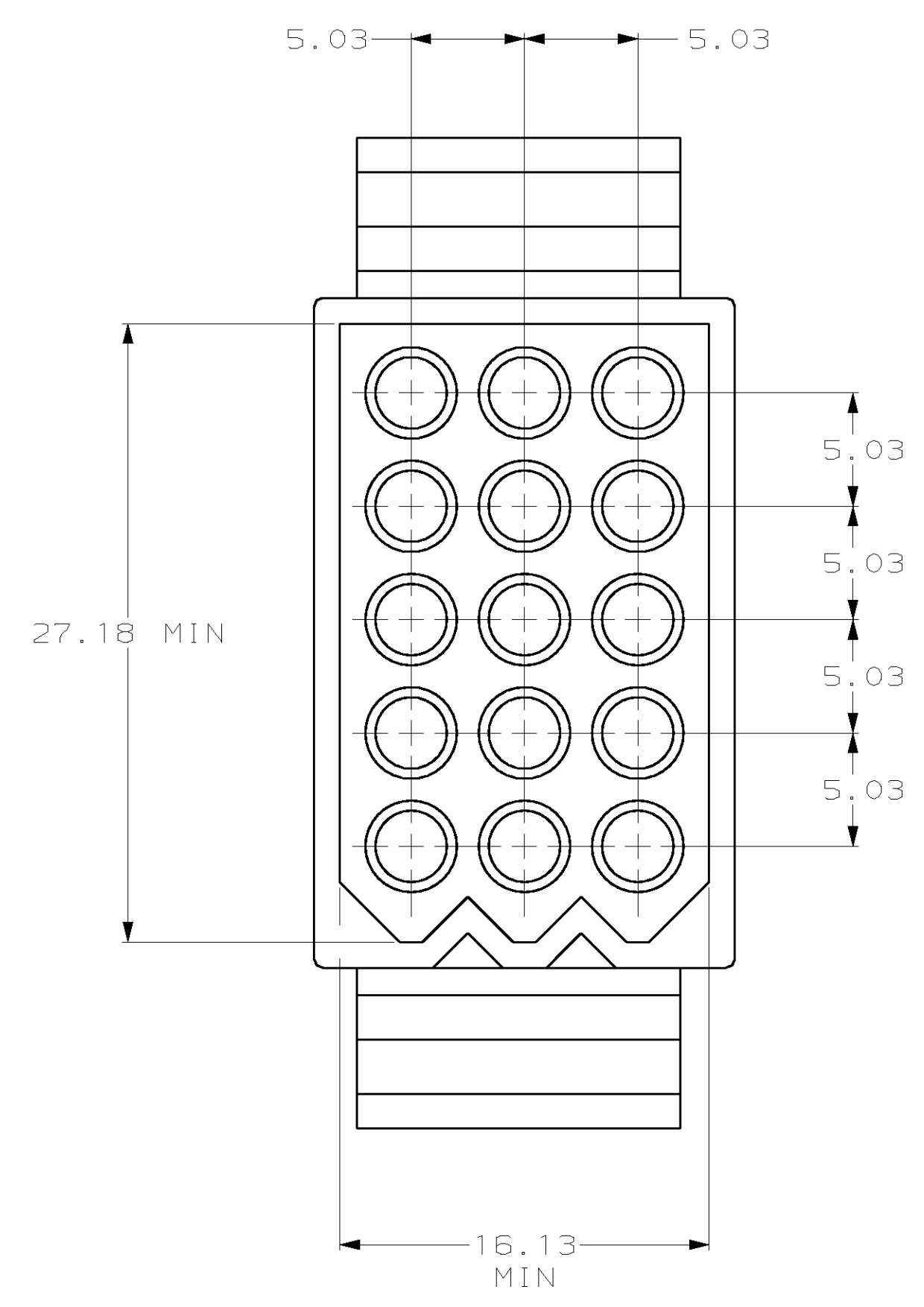
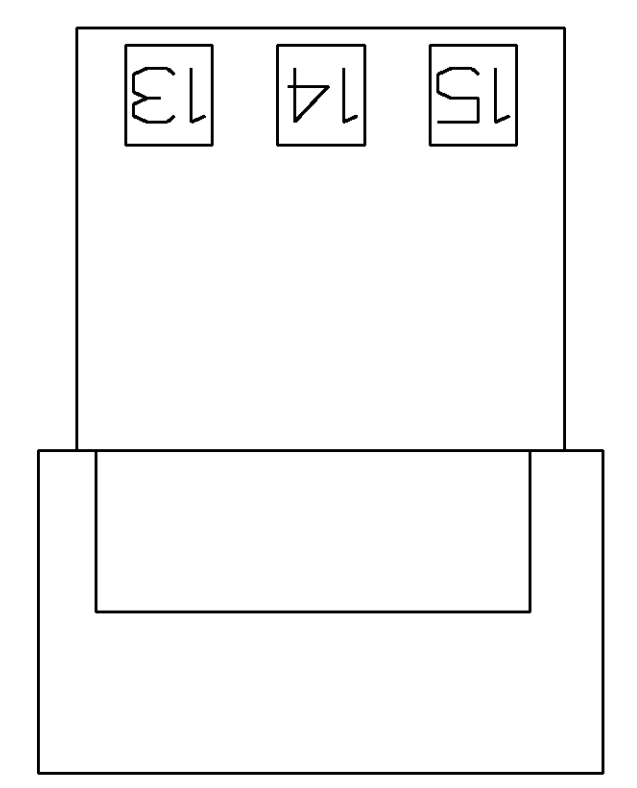
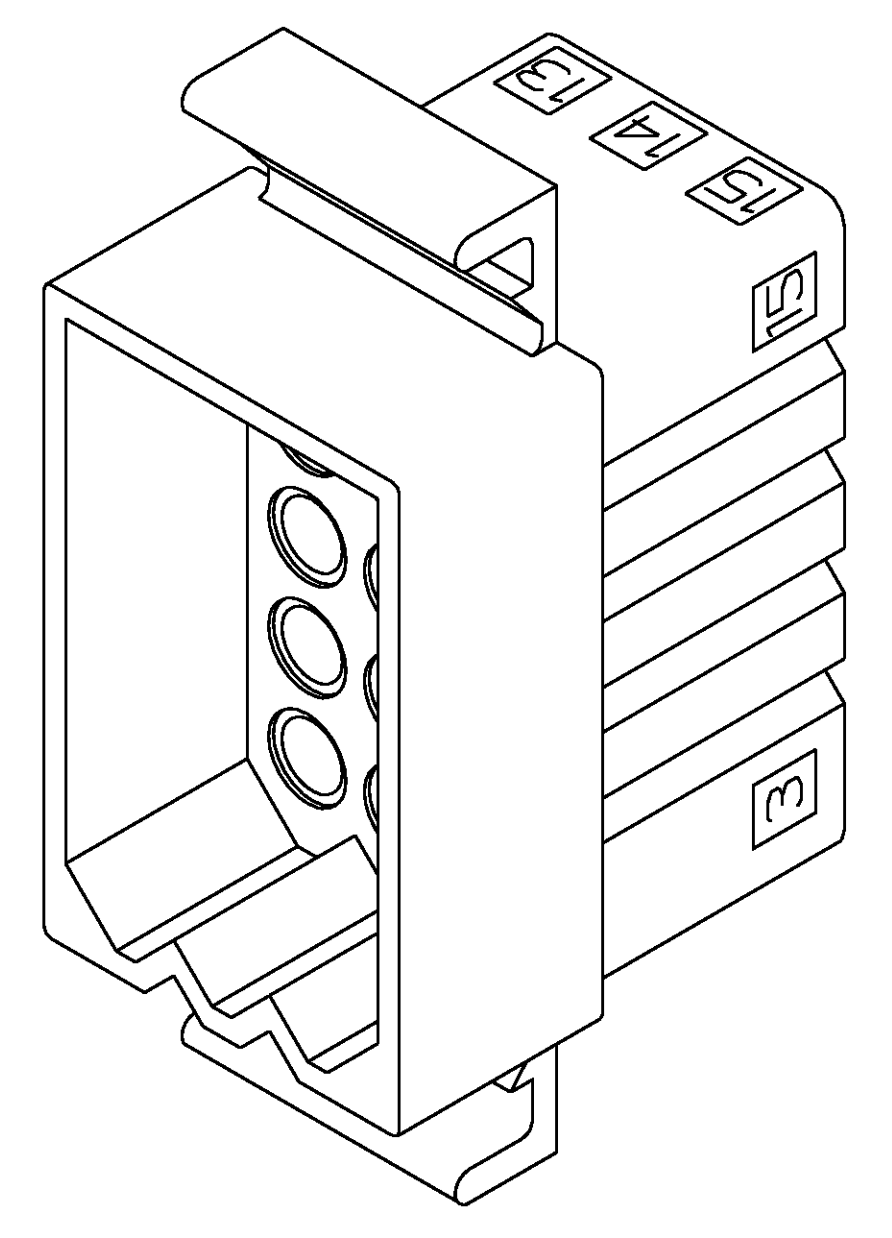


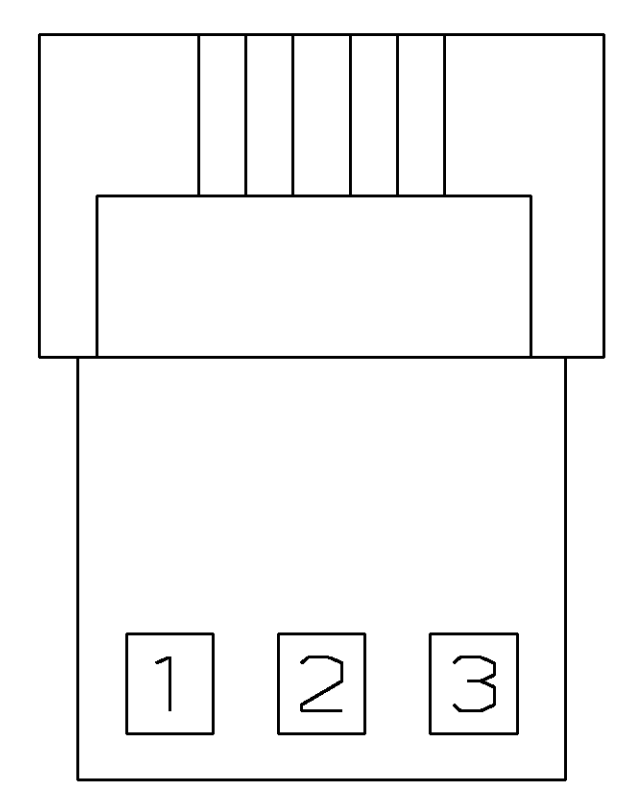
1. RECOMMENDED PANEL THICKNESS 2.29 MAX.  
 2. MARKING FOR UL LOGO AND CSA LOGO LOCATED APPROXIMATELY AS SHOWN.



RECOMMENDED PANEL CUT OUT



3-DIMENSIONAL MODEL  
 NTS



16.13	.635	-	-
5.03	.198	43.94	1.730
2.36	.093	34.11	1.343
2.29	.090	29.72	1.170
0.51	.020	27.18	1.070
0.25	.010	24.64	.970
0.13	.005	19.30	.760
MM	IN	MM	IN

CONVERSION TABLE



THIS DRAWING IS A CONTROLLED DOCUMENT.		DWN K. WHITAKER 04-JUN-1999	AMP Incorporated Harrisburg, PA 17105-3608
DIMENSIONS: mm		CHK: J. SCHLUNZ 04-JUN-1999	AMP
TOLERANCES UNLESS OTHERWISE SPECIFIED:		APVD: J. SCHLUNZ 04-JUN-1999	NAME PLUG, 15 CIRCUIT, .093 COMMERCIAL PIN AND SOCKET
0 PLC ±	1 PLC ±	PRODUCT SPEC	SIZE CAGE CODE DRAWING NO
2 PLC ±0.13	3 PLC ±	APPLICATION SPEC	A100779
4 PLC ±	ANGLES ±	RESTRICTED TO	770106
MATERIAL NYLON, JL 94V-2, NATURAL	FINISH -	WEIGHT -	CUSTOMER DRAWING
SCALE 4:1		SHEET 1 OF 1	REV F

770106-1  
 PART NUMBER